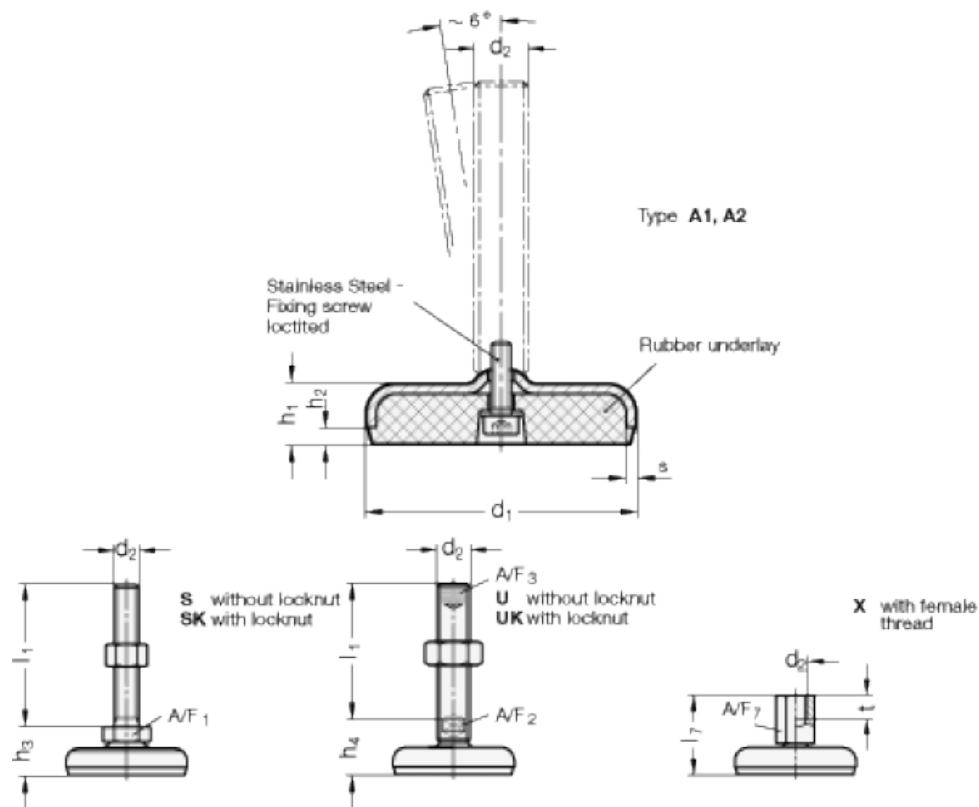


Article number: 203050M10100A1S

Description: E+G levelling foot
GN 30-50-M10-100-A1-S

Note: S Withoutnut, External hexagon at the bottom

Measures



A/F1	= 17
d1	= 50
d2	= M10
h1	= 14.5
h2	= 3.5
h3	= 23
l1	= 100
s	= 3